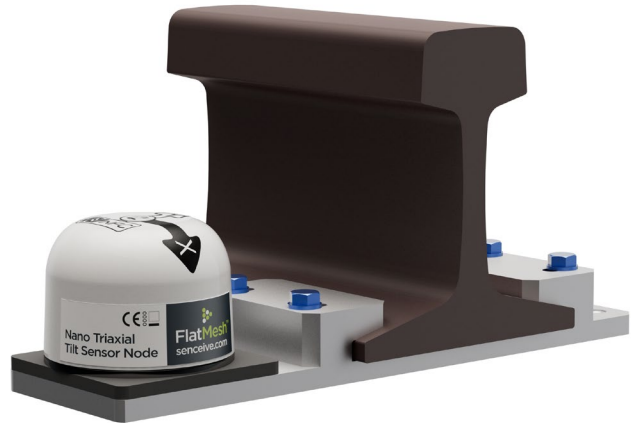


Vibration Pad for Rail Mounted Tilt Meter

FF-MP-RMP secures a Senceive NanoMacro Triaxial Tilt Meter (FM3NT-50H) to the rail foot using clamps.

The bracket assembly comprises four components: a flat rail clamp bar, two rail clamps, and a vibration-absorbing pad. The bracket is designed to suit multiple rail profiles, including 132RE, 136RE, 141RE, 115RE, and 100RE.



Parameter	Description
Part Number	FF-MP-RMP
Dimensions	327.5 x 90 x 90 mm
Weight	1.6 kg
Material	Aluminium
Compatible Products & Corresponding Part Numbers	FlatMesh NanoMacro High-G (FM3NT-50H)
Fixing Method	Clamp
Required Tools	Torque wrench with 13mm hex socket, Torque Screwdriver with 3mm Hex bit
Suggested Torque	15Nm for Hex bolt, 1Nm for Socket cap head screw
Possible applications	Rail track monitoring
Rail types	100RE, 115RE, 132RE, 136RE, 141RE

Vibration Pad for Rail Mounted Tilt Meter

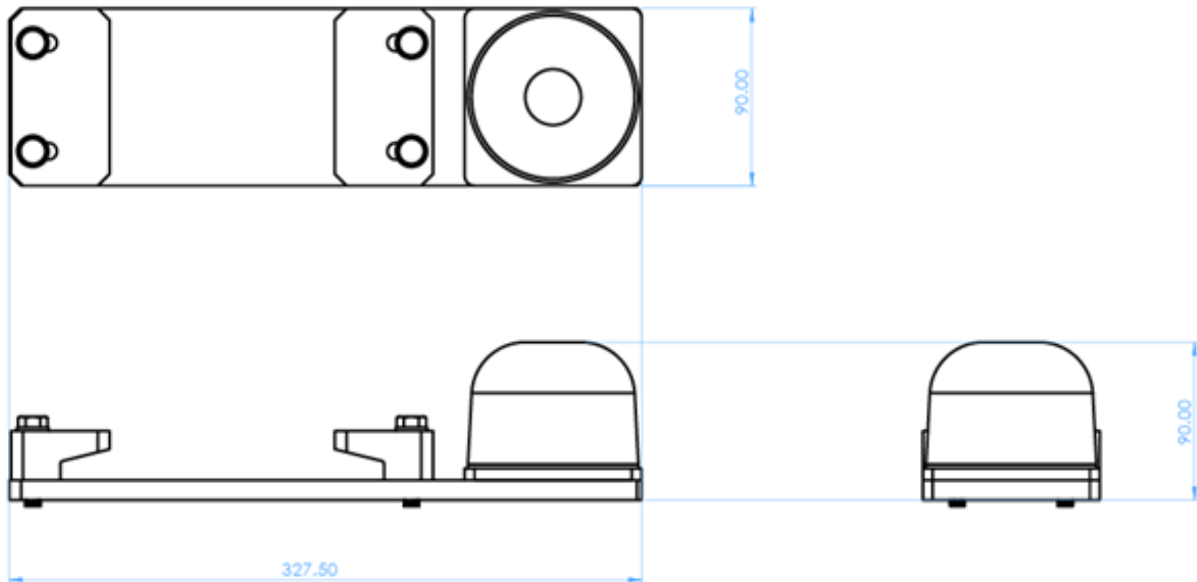


Figure 1 Outer dimensions of FF-MP-RMP and FM3NT-50H assembly

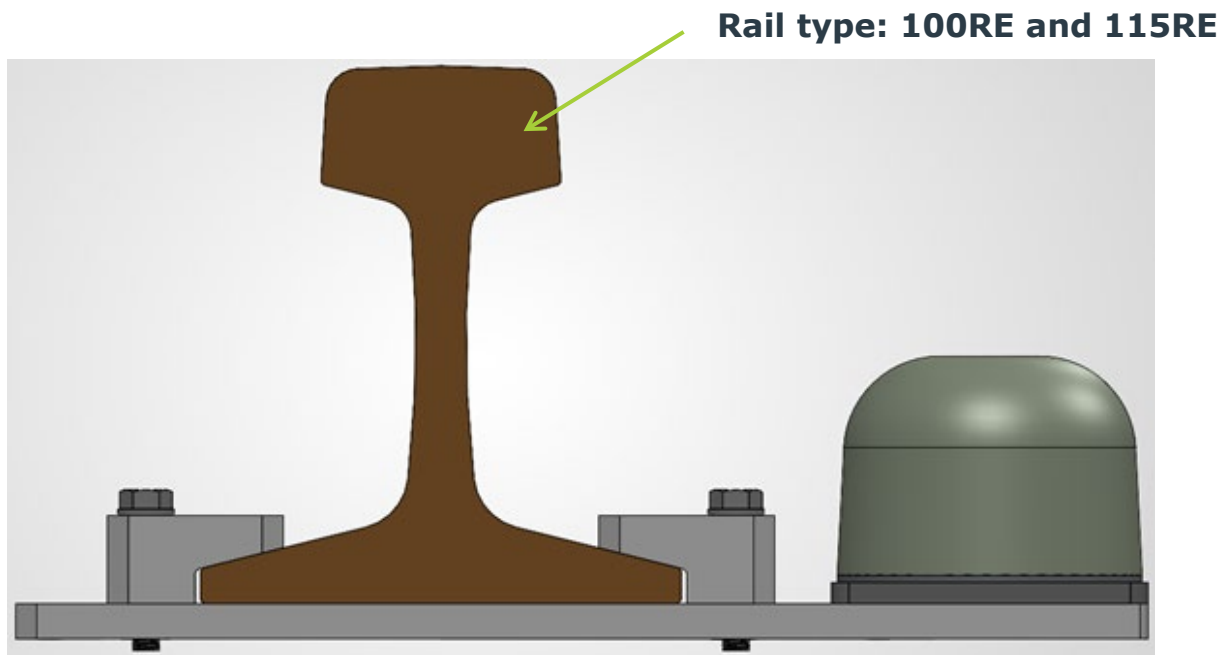


Figure 2 Mounting position of the FF-MP-RMP for rail types 110RE and 115RE (inner mounting holes on clamp bar utilised)

Vibration Pad for Rail Mounted Tilt Meter

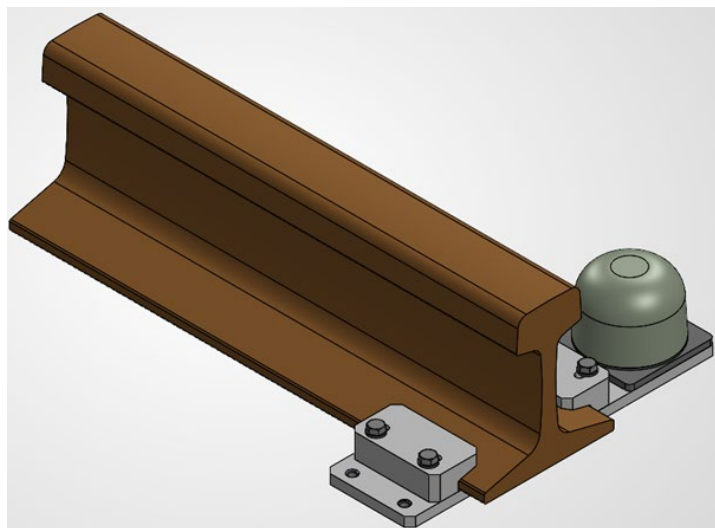


Figure 3 Additional view of mounting position of the FF-MP-RMP for rail types 110RE and 115RE (inner mounting holes on clamp bar utilised)

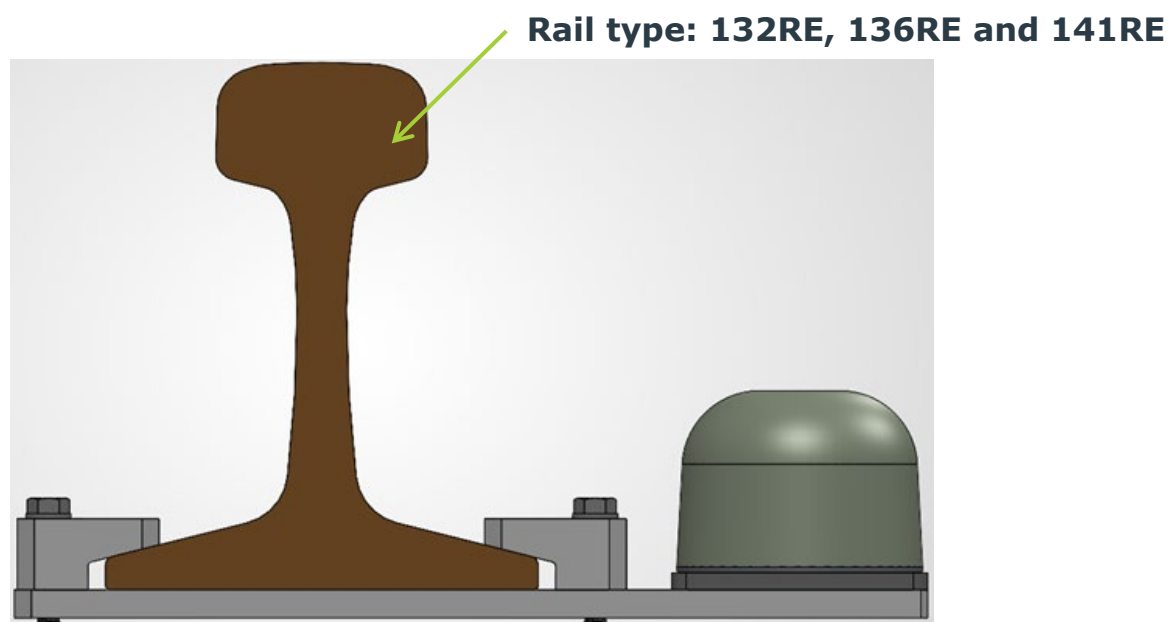


Figure 4 Mounting position of the FF-MP-RMP for rail types 132RE, 136RE and 141RE (outer mounting holes on clamp bar utilised)

Vibration Pad for Rail Mounted Tilt Meter

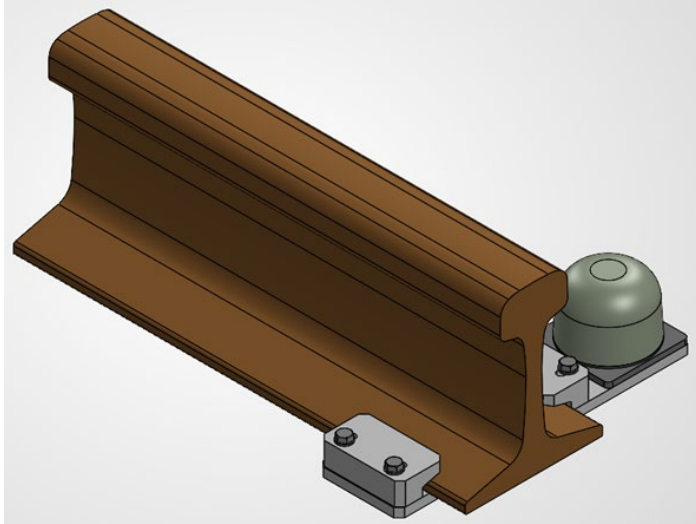


Figure 5 Additional view of mounting position of the FF-MP-RMP for rail types 132RE, 136RE and 141RE (outer mounting holes on clamp bar utilised)